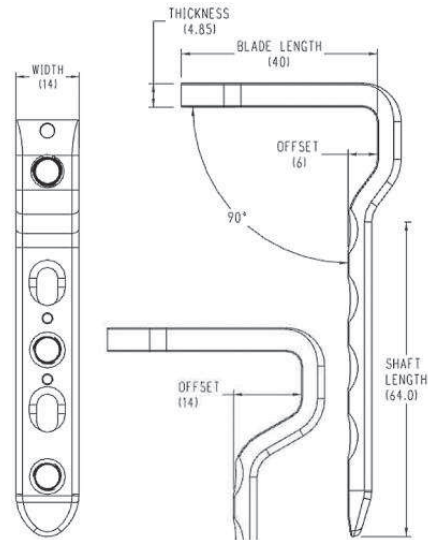


Ordering Information

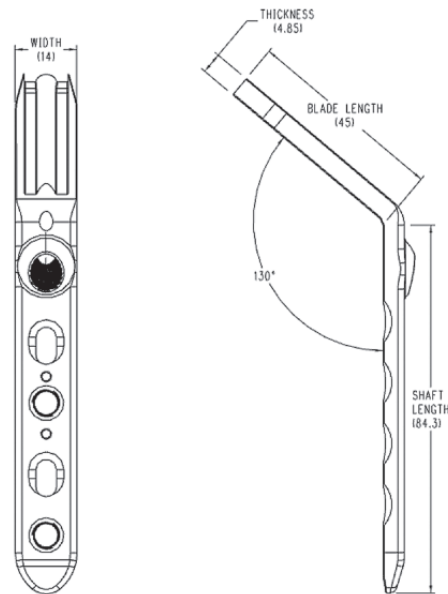
Plate Blade Length x Off Set x # of Holes

Product Description	Part Number
INFANT PLATES	
90° Locking Cannulated Blade 25mm x 5mm x 2 Hole	00-1200-2000
90° Locking Cannulated Blade 30mm x 5mm x 2 Hole	00-1200-2001
90° Locking Cannulated Blade 35mm x 5mm x 2 Hole	00-1200-2002
CHILD PLATES	
90° Locking Cannulated Blade 25mm x 6mm x 3 Hole	00-1200-3500
90° Locking Cannulated Blade 30mm x 6mm x 3 Hole	00-1200-3501
90° Locking Cannulated Blade 35mm x 6mm x 3 Hole	00-1200-3502
90° Locking Cannulated Blade 40mm x 6mm x 3 Hole	00-1200-3503
90° Locking Cannulated Blade 45mm x 6mm x 3 Hole	00-1200-3504
90° Locking Cannulated Blade 50mm x 6mm x 3 Hole	00-1200-3505
90° Locking Cannulated Blade 25mm x 10mm x 3 Hole	00-1200-3506
90° Locking Cannulated Blade 30mm x 10mm x 3 Hole	00-1200-3507
90° Locking Cannulated Blade 35mm x 10mm x 3 Hole	00-1200-3508
90° Locking Cannulated Blade 40mm x 10mm x 3 Hole	00-1200-3509
90° Locking Cannulated Blade 45mm x 10mm x 3 Hole	00-1200-3510
90° Locking Cannulated Blade 50mm x 10mm x 3 Hole	00-1200-3511
100° Locking Cannulated Blade 25mm x 6mm x 3 Hole	00-1200-4000
100° Locking Cannulated Blade 30mm x 6mm x 3 Hole	00-1200-4001
100° Locking Cannulated Blade 35mm x 6mm x 3 Hole	00-1200-4002
100° Locking Cannulated Blade 40mm x 6mm x 3 Hole	00-1200-4003
100° Locking Cannulated Blade 45mm x 6mm x 3 Hole	00-1200-4004
100° Locking Cannulated Blade 50mm x 6mm x 3 Hole	00-1200-4005
130° Locking Cannulated Blade 40mm x 0mm x 4 Hole	00-1200-5000
130° Locking Cannulated Blade 45mm x 0mm x 4 Hole	00-1200-5001
130° Locking Cannulated Blade 50mm x 0mm x 4 Hole	00-1200-5002
130° Locking Cannulated Blade 55mm x 0mm x 4 Hole	00-1200-5003
130° Locking Cannulated Blade 60mm x 0mm x 4 Hole	00-1200-5004

Locking Cannulated Blade Plate



Adolescent 90° Blade



Adolescent 130° Blade



PediLoc® Locking Cannulated Blade Plate



Specifications:
Infant, Child, Adolescent Plates

Plate Material: 316 L Stainless Steel

Solid Screw: 316 L Stainless Steel

Ordering Information

Plate Blade Length x Off Set x # of Holes

Product Description	Part Number
ADOLESCENT PLATES	
90° Locking Cannulated Blade 40mm x 6mm x 4 Hole	00-1200-4500
90° Locking Cannulated Blade 45mm x 6mm x 4 Hole	00-1200-4501
90° Locking Cannulated Blade 50mm x 6mm x 4 Hole	00-1200-4502
90° Locking Cannulated Blade 55mm x 6mm x 4 Hole	00-1200-4503
90° Locking Cannulated Blade 60mm x 6mm x 4 Hole	00-1200-4504
90° Locking Cannulated Blade 65mm x 6mm x 4 Hole	00-1200-4505
90° Locking Cannulated Blade 70mm x 6mm x 4 Hole	00-1200-4506
90° Locking Cannulated Blade 40mm x 14mm x 4 Hole	00-1200-4514
90° Locking Cannulated Blade 45mm x 14mm x 4 Hole	00-1200-4515
90° Locking Cannulated Blade 50mm x 14mm x 4 Hole	00-1200-4516
90° Locking Cannulated Blade 55mm x 14mm x 4 Hole	00-1200-4517
90° Locking Cannulated Blade 60mm x 14mm x 4 Hole	00-1200-4518
90° Locking Cannulated Blade 65mm x 14mm x 4 Hole	00-1200-4519
90° Locking Cannulated Blade 70mm x 14mm x 4 Hole	00-1200-4520
130° Locking Cannulated Blade 45mm x 0mm x 4 Hole	00-1200-7000
130° Locking Cannulated Blade 50mm x 0mm x 4 Hole	00-1200-7001
130° Locking Cannulated Blade 55mm x 0mm x 4 Hole	00-1200-7002
130° Locking Cannulated Blade 60mm x 0mm x 4 Hole	00-1200-7003
130° Locking Cannulated Blade 65mm x 0mm x 4 Hole	00-1200-7004
130° Locking Cannulated Blade 70mm x 0mm x 4 Hole	00-1200-7005
130° Locking Cannulated Blade 75mm x 0mm x 4 Hole	00-1200-7006
130° Locking Cannulated Blade 80mm x 0mm x 4 Hole	00-1200-7007

To Place an Order, Contact:



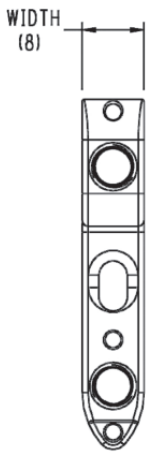
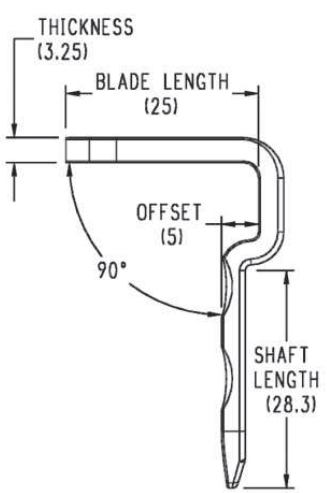
2850 Frontier Drive • Warsaw, IN 46582
Ph: 574.268.6379 or 877.268.6339
Fax: 574.268.6302

www.OrthoPediatrics.com

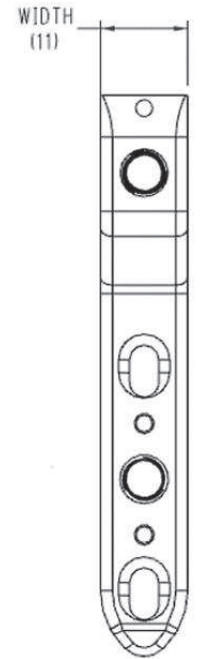
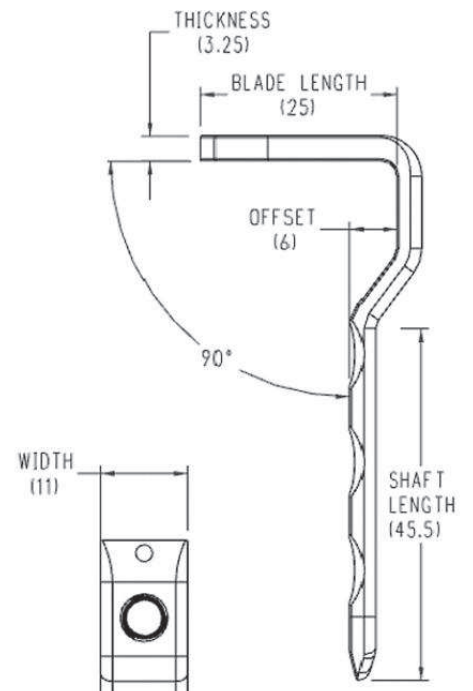
OrthoPediatrics, PediLoc, and the Pedi logo are trademarks of OrthoPediatrics Corp.

OrthoPediatrics, PediLoc, and the Pedi logo are registered trademarks in the United States.

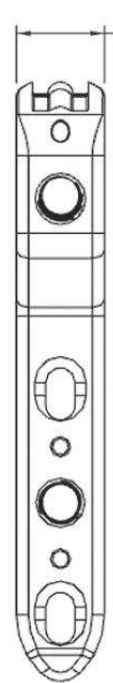
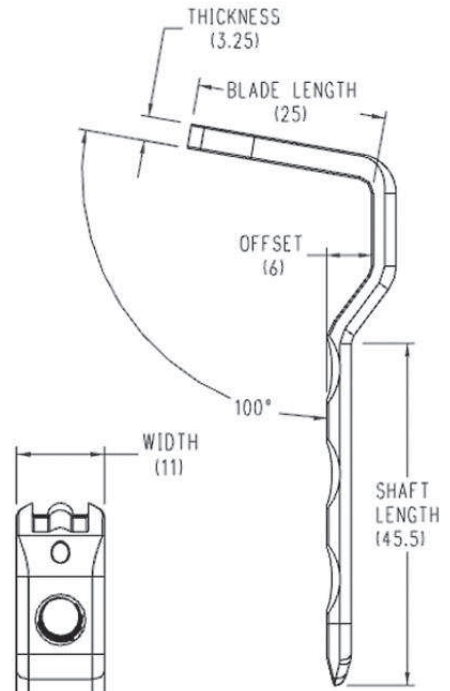
Locking Cannulated Blade Plate



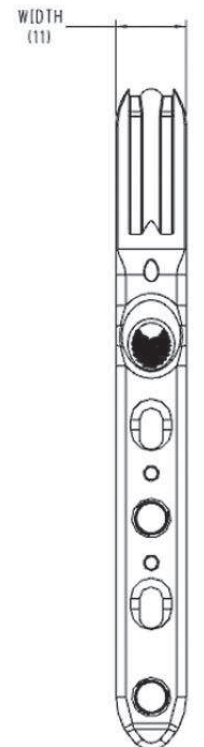
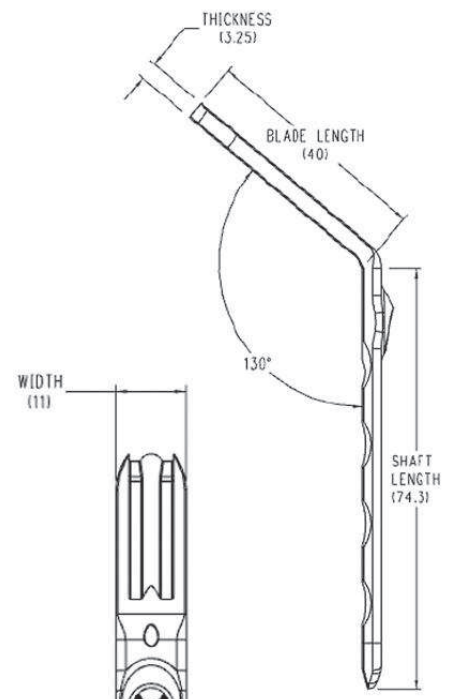
Infant 90° Blade



Child 90° Blade



Child 100° Blade



Child 130° Blade

