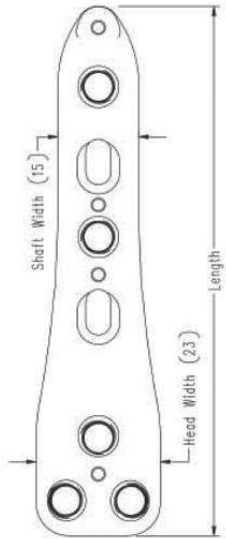


4.5mm Plates



Ordering Information

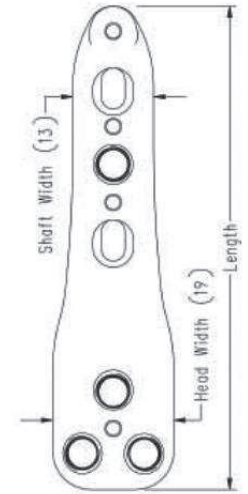
Product Description	Part Number
90° x 3.5mm Plate, 6mm Offset, 3 Hole	00-0907-1103
100° x 3.5mm Plate, 6mm Offset, 3 Hole	00-0907-1123
110° x 3.5mm Plate, 6mm Offset, 3 Hole	00-0907-1143
90° x 3.5mm Plate, 12mm Offset, 3 Hole	00-0907-1203
100° x 3.5mm Plate, 12mm Offset, 3 Hole	00-0907-1223
110° x 3.5mm Plate, 12mm Offset, 3 Hole	00-0907-1243
130° x 3.5mm Plate, 3 Hole	00-0907-2103
130° x 3.5mm Plate, 4 Hole	00-0907-2104
130° x 3.5mm Plate, 6 Hole	00-0907-2106
150° x 3.5mm Plate, 3 Hole	00-0907-3103
150° x 3.5mm Plate, 5 Hole	00-0907-3105
90° x 4.5mm Plate, 6mm Offset, 3 Hole	00-0907-1303
90° x 4.5mm Plate, 6mm Offset, 4 Hole	00-0907-1304
100° x 4.5mm Plate, 6mm Offset, 4 Hole	00-0907-1324
110° x 4.5mm Plate, 6mm Offset, 4 Hole	00-0907-1344
90° x 4.5mm Plate, 14mm Offset, 3 Hole	00-0907-1403
90° x 4.5mm Plate, 14mm Offset, 4 Hole	00-0907-1404
100° x 4.5mm Plate, 14mm Offset, 4 Hole	00-0907-1424
110° x 4.5mm Plate, 14mm Offset, 4 Hole	00-0907-1444
130° x 4.5mm Plate, 3 Hole	00-0907-2203
130° x 4.5mm Plate, 4 Hole	00-0907-2204
130° x 4.5mm Plate, 6 Hole	00-0907-2206
150° x 4.5mm Plate, 3 Hole	00-0907-3203
150° x 4.5mm Plate, 5 Hole	00-0907-3205



PediLoc® Locking Proximal Femur



3.5mm Plates



Product Description	Length
90° x 4.5mm Plate, 6mm Offset, 3 Hole	87
90° x 4.5mm Plate, 6mm Offset, 4 Hole	99
100° x 4.5mm Plate, 6mm Offset, 4 Hole	101
110° x 4.5mm Plate, 6mm Offset, 4 Hole	101
90° x 4.5mm Plate, 14mm Offset, 3 Hole	97
90° x 4.5mm Plate, 14mm Offset, 4 Hole	108
100° x 4.5mm Plate, 14mm Offset, 4 Hole	111
110° x 4.5mm Plate, 14mm Offset, 4 Hole	111
130° x 4.5mm Plate, 3 Hole	77
130° x 4.5mm Plate, 4 Hole	91
130° x 4.5mm Plate, 6 Hole	119
150° x 4.5mm Plate, 3 Hole	80
150° x 4.5mm Plate, 5 Hole	108

To Place an Order, Contact:



2850 Frontier Drive • Warsaw, IN 46582
Ph: 574.268.6379 or 877.268.6339
Fax: 574.268.6302

www.OrthoPediatrix.com

OrthoPediatrix, PediLoc, and the Pedi logo are trademarks of OrthoPediatrix Corp.

OrthoPediatrix, PediLoc, and the Pedi logo are registered trademarks in the United States.

The Cannulated Screws are made from Biodur 108 Alloy which is a nitrogen strengthened low-nickel stainless steel. At the cold worked condition, the material yields higher strength values than traditional cold worked 316L Stainless Steel allowing screws to be made with a larger cannulation. This allows for a larger guide wire to be utilized.

Specifications: 3.5mm and 4.5mm Plates

Material: 316 L Stainless Steel

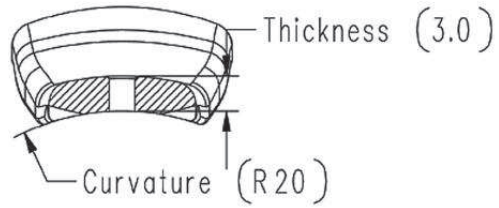
Solid Screw: 316 L Stainless Steel

Cannulated Screws: 108 Alloy

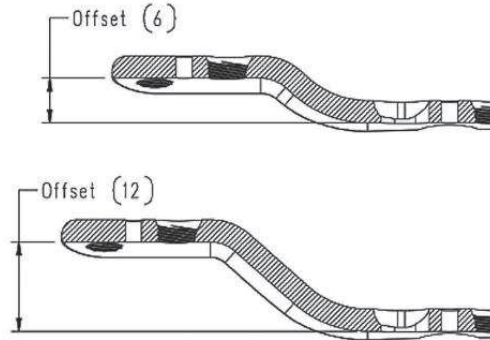
Product Description	Length
90° x 3.5mm Plate, 6mm Offset, 3 Hole	76
100° x 3.5mm Plate, 6mm Offset, 3 Hole	77
110° x 3.5mm Plate, 6mm Offset, 3 Hole	77
90° x 3.5mm Plate, 12mm Offset, 3 Hole	83
100° x 3.5mm Plate, 12mm Offset, 3 Hole	84
110° x 3.5mm Plate, 12mm Offset, 3 Hole	84
130° x 3.5mm Plate, 3 Hole	66
130° x 3.5mm Plate, 4 Hole	78
130° x 3.5mm Plate, 6 Hole	102
150° x 3.5mm Plate, 3 Hole	67
150° x 3.5mm Plate, 5 Hole	91

Locking Proximal Femur

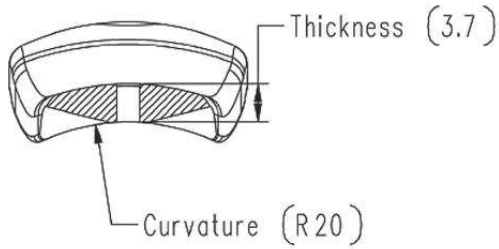
3.5mm Plates



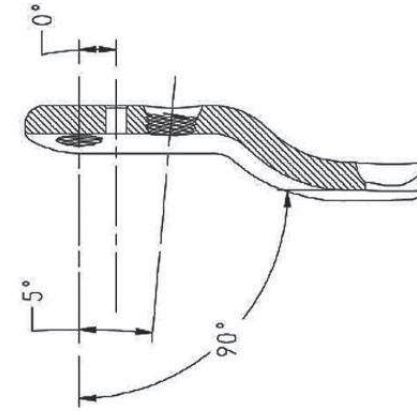
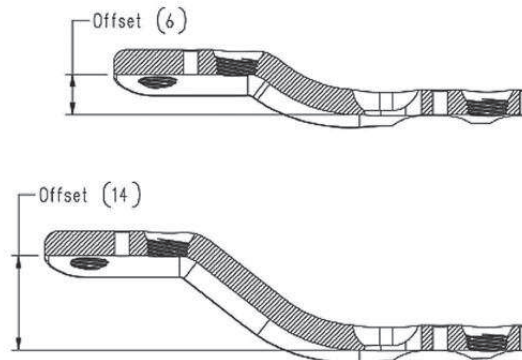
3.5mm Plates (90°, 100°, 110°)



4.5mm Plates



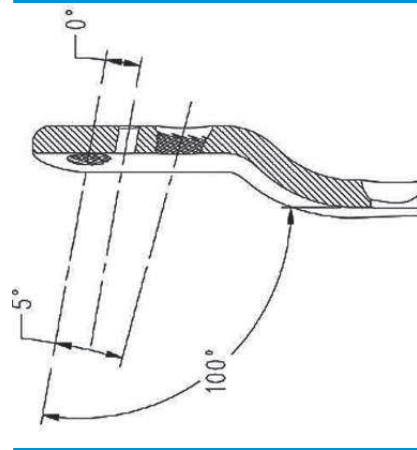
4.5mm Plates (90°, 100°, 110°)



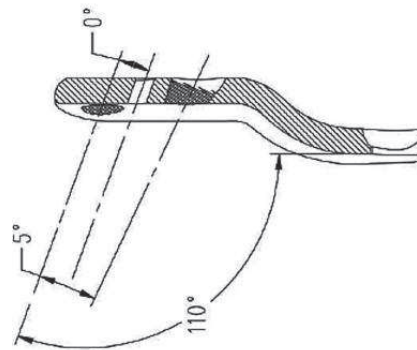
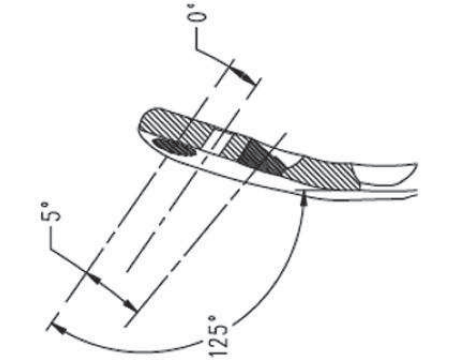
90° Plates



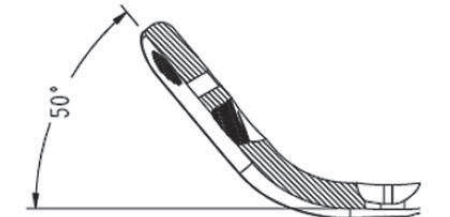
130° Plates



100° Plates



110° Plates



150° Plates

